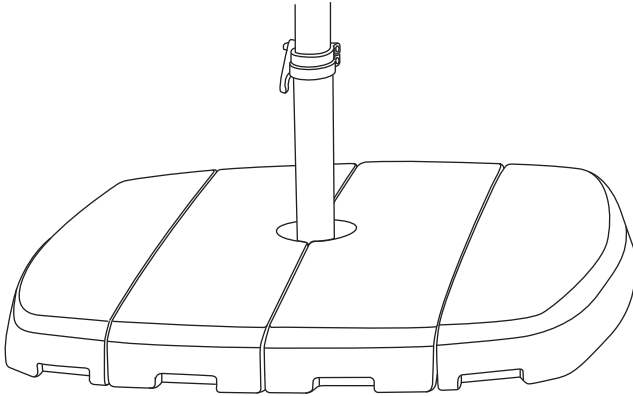




# SimplyShade

## **Bermuda** *Base Weights*

SSBSPB



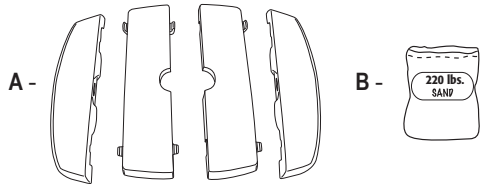
Instruction Manual

Thank you for purchasing SimplyShade's Bermuda Base Weights.

Please remove all contents from the package, inspect and review checklist.

### CHECKLIST

- A - (4) Resin Base Weights
- B - 220 lb. All Purpose Sand  
(not included)



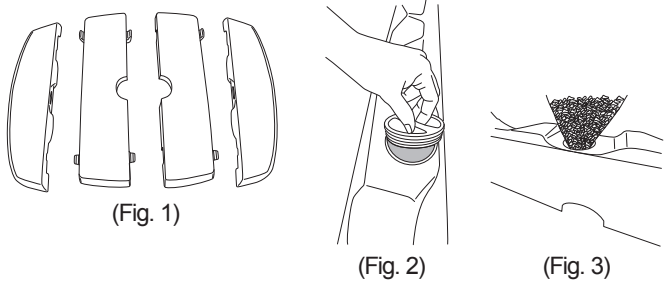
### Prior to Assembly

Select area to set Cross Base Stand and place in desired location. *Moving the umbrella will be difficult once fully assembled.* Be sure bottom pole stem is attached to cross bar stand and cross bars are adjusted to 20" position. **DO NOT OPEN UMBRELLA UNTIL WEIGHTS ARE SECURED.**

### Step 1

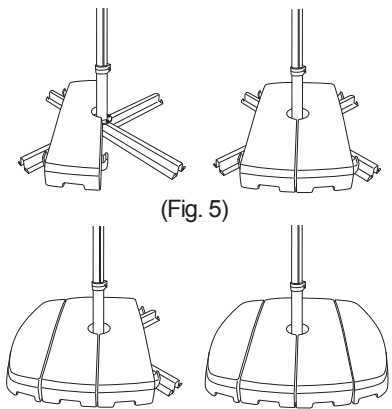
Remove 4 resin base weights from carton and lay on soft surface (Fig. 1). Remove caps from each resin base weight by turning counter clockwise (Fig. 2) and fill with all purpose sand (Fig. 3). Remove/clean any excess sand from base weight cap and threads. Secure cap on container by turning clockwise.

**NOTE:** Each resin base weight holds up to 55 lbs. of sand, 220lbs for all 4.



### Step 2

Place each resin base weight onto Cross Bar Stand. Hook each section together so the resin base weights are secured in place (Fig. 4). Begin with middle sections first and work your way out (Fig. 5).



## WARRANTY:

The manufacturer warrants that this umbrella, when subject to normal and proper use, will be free from manufacturing defects for a period of one year from the original date of purchase. Should any defect occur during the specified time period, the manufacturer will repair, replace, or provide replacement parts, at its own option. Limited warranty against fabric fading, based on fabric grade. Warranty is not transferable.

We will not warrant any claim coverage unless both the original sales receipt and request form are sent to us. Any items that are returned for warranty or non warranty purposes must be issued a Return Authorization Number. Only

upon issuance of an RA # and inspection by our QC department will credit or replacement of umbrella be issued. It is the customer's responsibility to pay the freight on return products or replacement parts. **ALL RETURNED ITEMS MUST INCLUDE THE RA# CLEARLY WRITTEN ON THE RETURN PACKAGE** or package will be refused by our warehouse personnel.

NOTE: Damages and failure caused by improper use due to neglect of reasonable and necessary care are not covered by this warranty.

Additionally, acts of nature (including but not limited to wind, hurricanes, tornadoes, and storms) are not covered by this warranty.

## S A F E T Y P R E C A U T I O N S :

- To reduce risk of personal injury in which a person is injured or harmed, and/or damage to personal property, read and follow the Assembly Guide prior to assembling and operating umbrella and base.
- Cross bar stand will not support umbrella without proper weight. Using the cross bar stand without weight will damage your umbrella and may cause injury.
- Close and store the umbrella in windy conditions or when a storm approaches. Never allow the umbrella to flap in the wind; this could cause personal injury, damage to personal property, damage to umbrella and/or umbrella canopy. Do not use tilting function during windy conditions.
- Keep umbrella secured to umbrella base at all times.
- Do not leave open umbrella unattended. If damage occurs, this is not covered by the warranty.
- When adjusting the umbrella, make sure that no person(s), item(s) or personal property are close to the umbrella. This is important to prevent injury or material damage.
- Do not allow children to play on or with umbrella or umbrella base.
- When adjusting or assembling the umbrella or umbrella base, make sure fingers, toes or any other parts of the body are clear from moving parts. Failing to do so may result in serious injury.



[www.simplyshade.com](http://www.simplyshade.com)

©2021 SimplyShade - All Rights Reserved.

9/21