



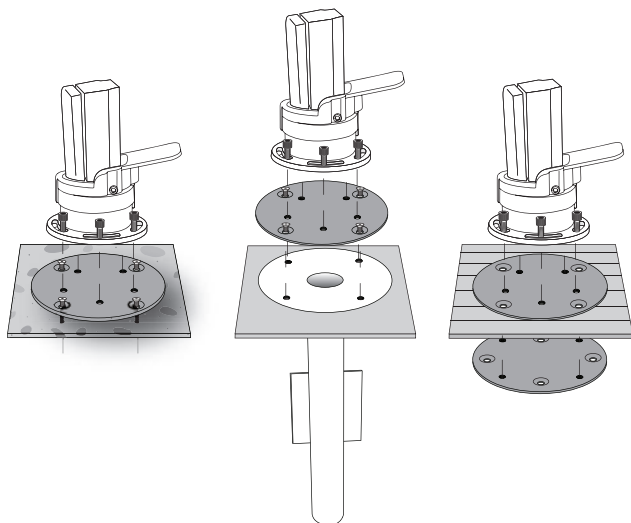
# SimplyShade®

## Mount Kits

Concrete / SSAMK-C

In-Ground / SSAMK-G

Wood / SSAMK-W



Instruction Manual

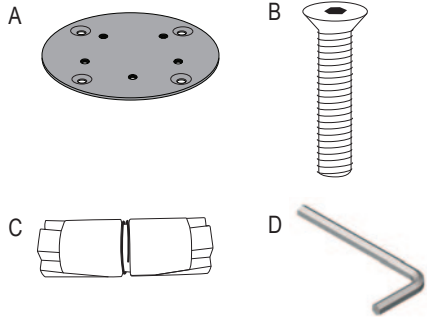
Thank you for purchasing SimplyShade's SSAMK Mount Kit.

Please remove all contents from the package, inspect and review check list.  
**CAUTION:** To reduce personal injury and damage to your mount kit or umbrella,  
read and follow this instruction manual. *Save information for future reference.*

### MOUNT KIT CHECK LIST

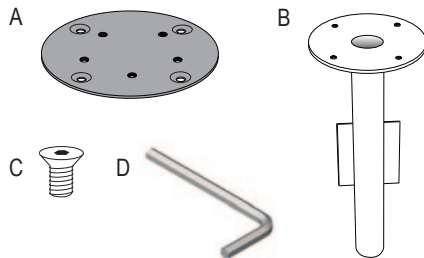
Concrete Mount Kit check list:

- A - Adapter Plate A (8.5" diameter)
- B - Bolt Anchors (4)
- C - Double Expansion Concrete Anchors (4)
- D - Hexagon Wrench



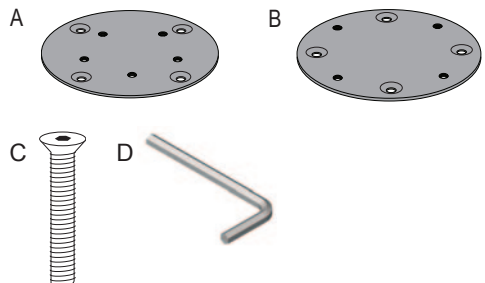
In-Ground Fitting Kit check list:

- A - Adapter Plate A (8.5" diameter)
- B - In-Ground Fitting
- C - Stem Bolts (4)
- D - Hexagon Wrench



Wooden Deck Mount Kit check list:

- A - Adapter Plate A (8.5" diameter)
- B - Base Plate
- C - Countersunk Bolts (4)
- D - Hexagon Wrench



## CONCRETE MOUNT KIT

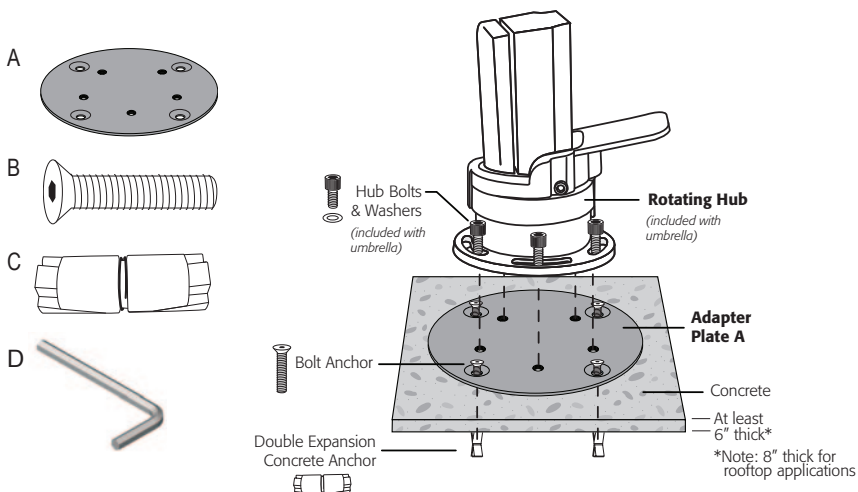
Concrete Mount Kit includes:

A - Adapter Plate A (8.5" diameter)

B - Countersunk Bolt Anchors (4)

C - Double Expansion Concrete Anchors (4) (3/8" dia., 3/4" drill, 1-1/2" OAL)

D - Hexagon Wrench



### STEP 1 Bolt Double Expansion Concrete Anchors

Final installation hardware should be determined by and professionally installed by a license contractor. During installation, make sure all adapter plate holes align with drilled holes in concrete. Clean out each hole of all debris. Insert (4) double expansion concrete anchors into holes and tap the fastener lightly with a hammer to ensure they are seated correctly. When using supplied double expansion concrete anchors, make sure thread side is down, towards the bottom of the hole and they are flush with the concrete slab.

### STEP 2 Bolt Adapter Plate A

Set adapter plate A over double expansion concrete anchors. Insert (4) countersunk bolt anchors through adapter plate and into the double expansion concrete anchors. Tighten all (4) countersunk bolt anchors with supplied hex wrench.

### STEP 3 Bolt Rotating Hub to Adapter Plate A

Align rotating hub holes with adapter plate holes. Insert (5) hub bolts and tighten using hex wrench to secure. **Note:** Rotating hub and hub bolts are included with umbrella.

### STEP 4 Attach Umbrella

Slide frame over the newly mounted rotating hub. See your umbrella instruction manual for further assistance.

*You are now ready to operate your umbrella!*

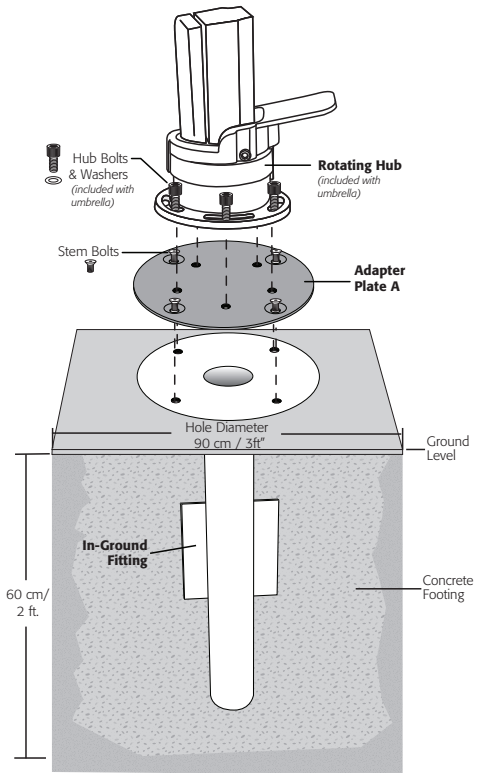
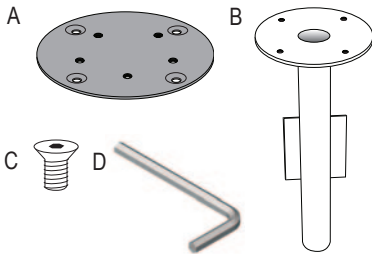
#### REMOVAL:

To remove your umbrella for seasonal storage or to move it to another adapter plate or in-ground fitting, simply undo the hub bolts and remove the umbrella from the adapter plate.

# IN-GROUND MOUNT KIT

In-Ground Fitting Kit includes:

- A - Adapter Plate A (8.5" diameter)
- B - In-Ground Fitting
- C - Stem Bolts (4)
- D - Hexagon Wrench



## STEP 1 Preparation

Final installation should be determined by and professionally installed by a license contractor. Dig an approximate 60 cm/2 ft. deep by 90 cm/3 ft. wide hole. Insert in-ground fitting and pour mixed concrete into hole around fitting. Make sure in-ground plate is level.

**Note:** Do not get slurry in the screw threads. Either apply tape over the holes on both sides of the fitting or place the stem bolts in the threads and remove them when the concrete is almost set. To make the adapter plate flush with the concrete, recess the in-ground fitting 3/8" below the finished surface.

## STEP 2 Bolt Adapter Plate A

Once concrete has cured, bolt adapter plate A onto in-ground fitting. Insert (4) countersunk stem bolts through adapter plate. Tighten all (4) stem bolts with supplied hex wrench.

## STEP 3 Bolt Rotating Hub to Adapter Plate A

Align rotating hub holes with adapter plate holes. Insert (5) hub bolts and tighten using hex wrench to secure. **Note:** Rotating hub and hub bolts are included with umbrella.

## STEP 4 Attach Umbrella

Slide frame over the newly mounted rotating hub. See your umbrella instruction manual for further assistance.

*You are now ready to operate your umbrella!*

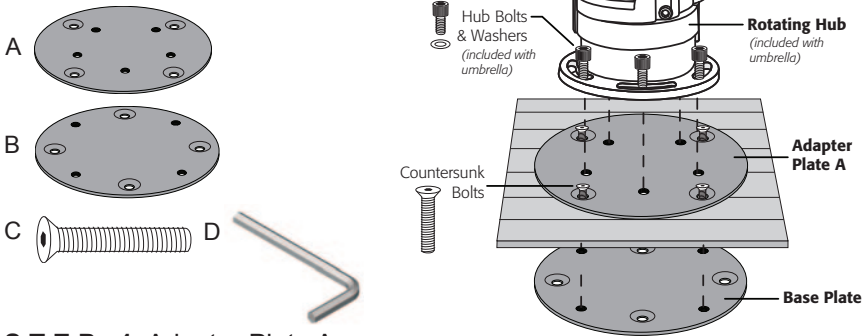
## REMOVAL:

To remove your umbrella for seasonal storage or to move it to another adapter plate or in-ground fitting, simply undo the hub bolts and remove the umbrella from the adapter plate.

# WOODEN DECK MOUNT KIT

Wooden Deck Mount Kit includes:

- A - Adapter Plate A (8.5" diameter)
- B - Base Plate
- C - Countersunk Bolts (4)
- D - Hexagon Wrench



## STEP 1 Adapter Plate A

Final installation should be determined by and professionally installed by a license contractor. Locate adapter plate A and place in desired location on the deck. The adapter plate should overlap two deck boards equally. Adjust the adapter plate so that the proper alignment is ensured.

## STEP 2 Drilling Deck Boards

Mark the four countersunk holes onto the deck for drilling. Drill four 10mm /  $\frac{13}{32}$ " holes through the deck boards for the countersunk bolts. Remove enough deck screws or nails from these boards to be able to install base plate underneath the boards.

## STEP 3 Attach Base and Adapter Plates to Deck Boards

Using four (4) countersunk bolts, attach the base plate and adapter plate A together, with the base plate under the deck and adapter plate A on top of the deck boards (Note: If deck is thicker, longer bolts may be required. A licensed contractor can help determine appropriate size bolts). Insert the (4) countersunk bolts downward through the top of the countersunk holes on adapter plate A, through the boards, and screw them into the threaded holes in the bottom base plate. Tighten all (4) countersunk bolts with supplied hex wrench.

## STEP 4 Fasten Deck Boards

Refasten the deck boards to the joists by attaching removed screws from Step 2 in the original holes closest to the Base Plate. Two structural deck screws should be used on either side of the base plate in each board.

## STEP 5 Bolt Rotating Hub to Adapter Plate A

Align rotating hub holes with adapter plate holes. Insert (5) hub bolts and tighten using hex wrench to secure. **Note:** Rotating hub and hub bolts are included with umbrella.

## STEP 6 Attach Umbrella

Slide frame over the newly mounted rotating hub. See your umbrella instruction manual for further assistance.

*You are now ready to operate your umbrella!*

## REMOVAL:

To remove your umbrella for seasonal storage or to move it to another adapter plate or in-ground fitting, simply undo the hub bolts and remove the umbrella from the adapter plate.

**DISCLAIMER:**

THE SSAMK MOUNTING KIT SHOULD ONLY BE PROFESSIONALLY INSTALLED BY A LICENSED CONTRACTOR DULY QUALIFIED TO PERFORM THE INSTALLATION. SIMPLY SHADE ASSUMES NO LIABILITY AND EXPRESSLY DISCLAIMS ANY RESPONSIBILITY FOR INJURIES OR DAMAGES ARISING FROM OR RELATED TO THE FAILURE OF BUYER TO HAVE THE SSAMK MOUNTING KIT INSTALLED BY A LICENSED PROFESSIONAL CONTRACTOR. SIMPLY SHADE MAKES NO WARRANTY EXCEPT AS EXPRESSLY STATED HEREIN, AND NO WARRANTY EXCEPT TITLE TO MATERIALS FURNISHED SHALL BE IMPLIED WITH RESPECT TO THIS ORDER.

**DISCLAIMER OF WARRANTIES:** EXCEPT AS HEREIN EXPRESSLY SET FORTH, THIS PRODUCT IS SOLD “AS IS” AND “WITH ALL FAULTS”, AND WITHOUT ANY IMPLIED WARRANTY OF MERCHANTABILITY -- WHICH WARRANTY IS HEREBY EXPRESSLY EXCLUDED. THIS PRODUCT IS SOLD WITHOUT ANY IMPLIED WARRANTY OF FITNESS FOR A PARTICULAR PURPOSE -- WHICH WARRANTY IS HEREBY EXPRESSLY EXCLUDED. MOREOVER, THERE ARE NO WARRANTIES WHICH EXTEND BEYOND THE DESCRIPTION ON THE FACE HEREOF.”

## WARRANTY:

The manufacturer warrants that this umbrella, when subject to normal and proper use, will be free from manufacturing defects for a period of one year from the original date of purchase. Should any defect occur during the specified time period, the manufacturer will repair, replace, or provide replacement parts, at its own option. Limited warranty against fabric fading, based on fabric grade. Warranty is not transferable.

We will not warrant any claim coverage unless both the original sales receipt and request form are sent to us. Any items that are returned for warranty or non warranty purposes must be issued a Return Authorization Number. Only

upon issuance of an RA # and inspection by our QC department will credit or replacement of umbrella be issued. It is the customer's responsibility to pay the freight on return products or replacement parts. ALL RETURNED ITEMS MUST INCLUDE THE RA# CLEARLY WRITTEN ON THE RETURN PACKAGE or package will be refused by our warehouse personnel.

NOTE: Damages and failure caused by improper use due to neglect of reasonable and necessary care are not covered by this warranty.

Additionally, acts of nature (including but not limited to wind, hurricanes, tornadoes, and storms) are not covered by this warranty.

## CAUTION: HANDLE WITH CARE

- To reduce personal injury and damage, read and follow this Assembly and Operation information.
- Close the umbrella in windy conditions or when a storm approaches. Never allow the umbrella to flap in the wind; this could damage the canopy.
- Do not leave open umbrella unattended.
- When adjusting the umbrella, make sure that no person(s) or item(s) are close to the umbrella. This is important to prevent injury or material damage.



[www.simplyshade.com](http://www.simplyshade.com)

©2021 SimplyShade - All Rights Reserved.

9/21