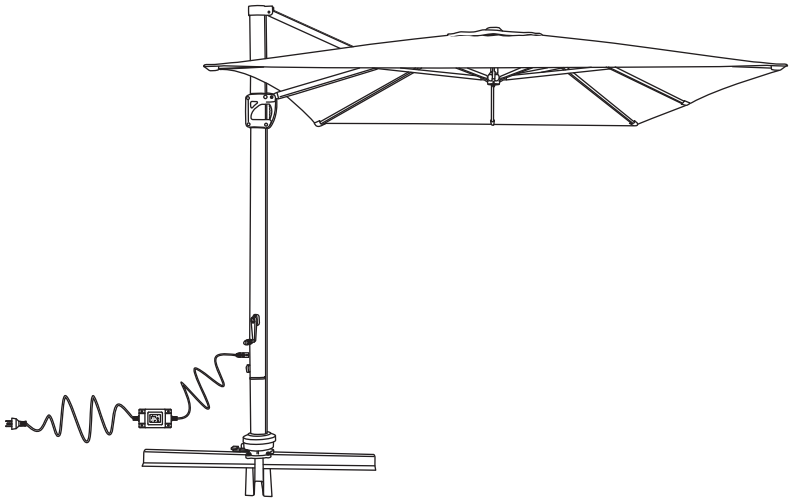




SimplyShade

Bali Pro *Starlight Cantilever*

10' Square / SSAD45SL-10SQ



Instruction Manual

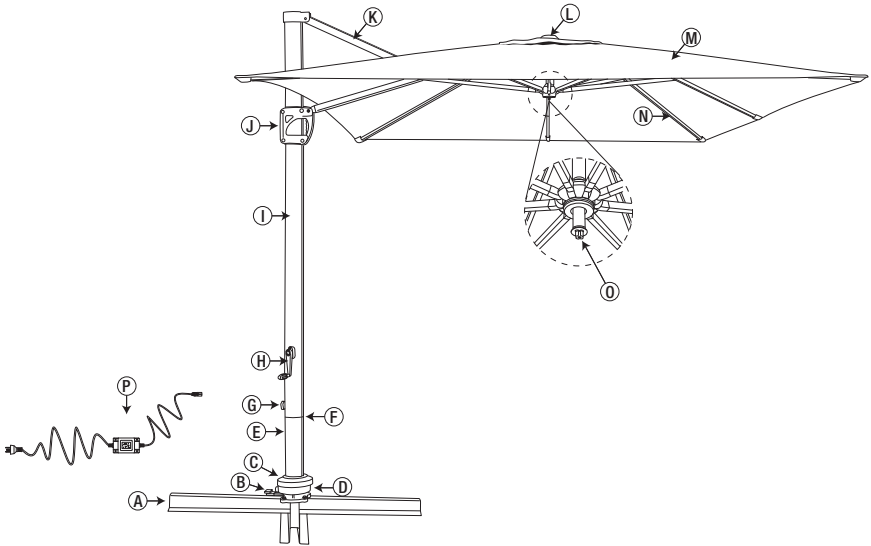
Thank you for purchasing SimplyShade's Bali Pro Starlight Cantilever Umbrella.

Please remove all contents from the package, inspect and review checklist.

CAUTION: To reduce personal injury and damage to your umbrella, read and follow this assembly and operation guide. We recommend a two-person team for assembly and disassembly. *Save information for future reference.*

BALI PRO STARLIGHT CHECKLIST

A - Cross Bars (2)	G - Knob	L - Finial
B - Foot Pedal	H - Crank Handle	M - Canopy
C - Rotating Hub Cover	I - Main Frame	N - Ribs
D - Rotating Hub	J - Main Frame Grip	O - Light Adapter
E - Main Frame Support Tube	K - Canopy Support Beam	P - Transformer
F - Gasket		

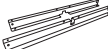





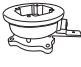











IMPORTANT:

Prior to assembly it is important to decide on the location of the umbrella.

- Allow ample height to avoid damage to your umbrella during assembly and usage.
- Choose a location that is level and sturdy.
- Avoid any sloping of soft ground.
- Consider a location that will maximize the umbrella's 360° rotating function. Placing the umbrella between two entertaining areas is ideal.

PART LIST

Part		Description	Qty.
①		Cross Bars	2
②		Main Frame with Canopy	1
③		Support Stem	1
④		Main Frame Support Tube	1
⑤		Gasket	1
⑥		Rotating Hub Cover	1
⑦		Rotating Hub	1
⑧		Foot Pedal	1
⑨		Knob	1
⑩		Crank Handle	1
⑪		Large Bolts	4
⑫		Medium Bolts	4
⑬		Small Screw	1
⑭		Washers	8
⑮		Wrench	1
⑯		Plug/Transformer/Cord	1

REQUIRED FOR ASSEMBLY:

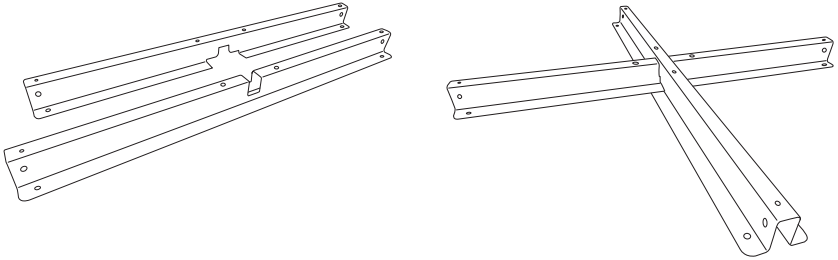
- One (1) Phillips Screwdriver
- Four (4) 40 lb. weights - square stones or concrete weights. (160 lb. total weight needed for support - **weights not included**) Stones & weights, standard sizes can be used up to 20" L x 20" W x 1.5" H.

NOTE: Using the cross bar stand without weights will damage your umbrella and may cause injury.

STEP 1 Assemble Cross Bar Stand

Select area to set base and place in desired location. Set cross bars in a cross position (Fig. 1). Secure stand with (4) square stones or concrete weights (weights not included).

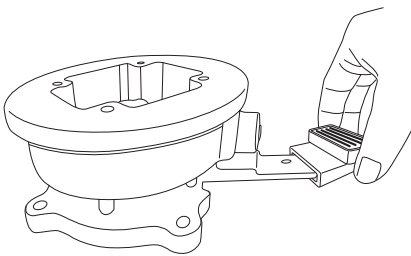
IMPORTANT: Cross bar stand will not support umbrella without proper weights. Using the stand without weights will damage your umbrella.



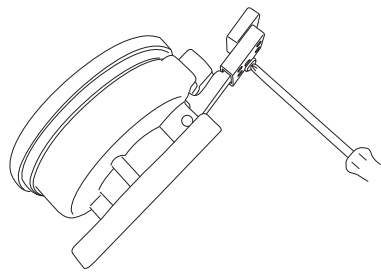
(Fig. 1)

STEP 2 Assemble Rotating Hub to Cross Bar Stand

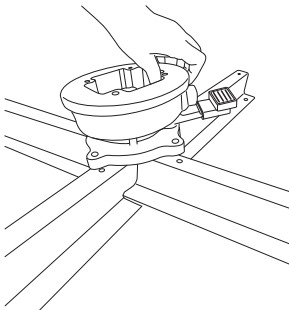
Attach foot pedal to rotating hub (Fig. 2). Turn rotating hub on side and secure foot pedal with small screw underneath foot pedal by tightening with phillips screwdriver (Fig. 3). Turn rotating hub upright and set onto cross bar stand (Fig. 4). By lining up holes, attach rotating hub to cross bar stand with 4 supplied large bolts and washers. Tighten with supplied wrench (Fig. 5).



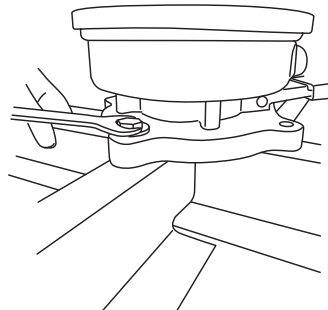
(Fig. 2)



(Fig. 3)



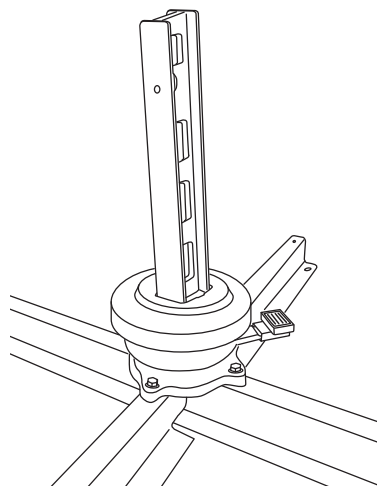
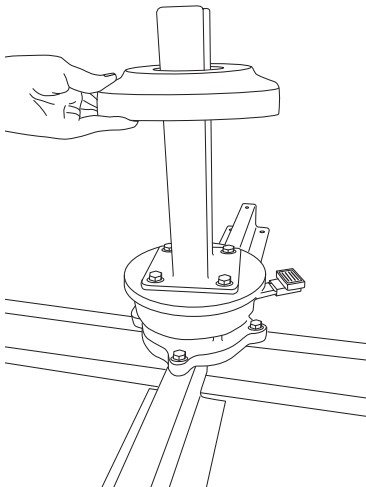
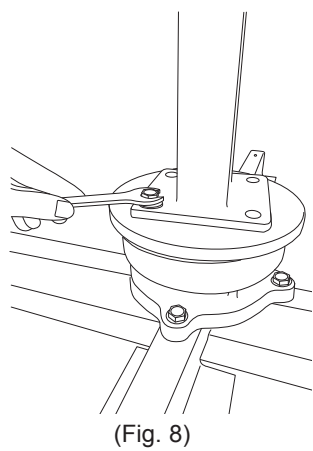
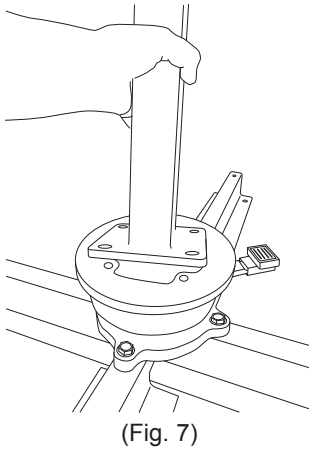
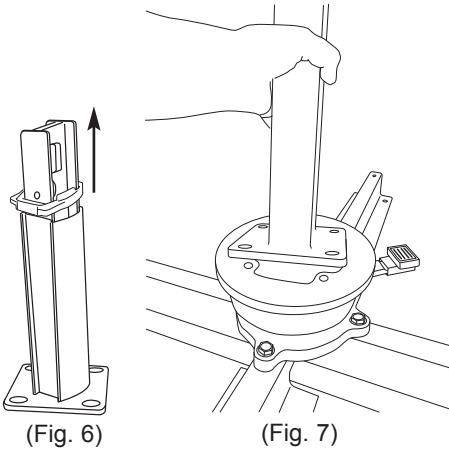
(Fig. 4)



(Fig. 5)


STEP 3 Assemble Support Stem to Rotating Hub

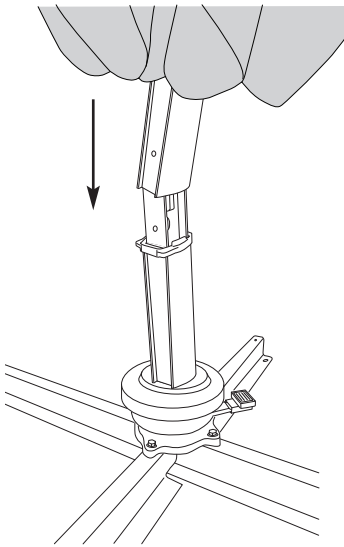
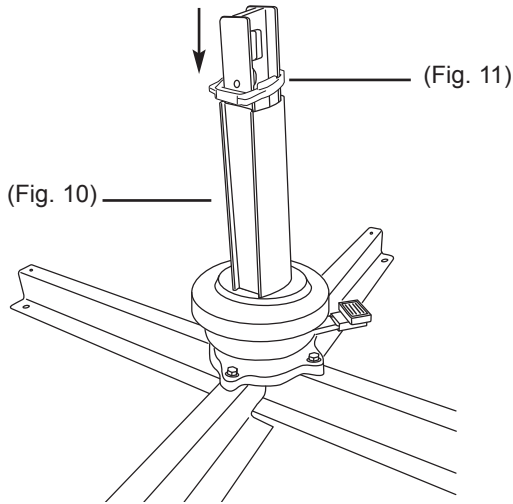
Remove gasket and main frame support tube from support stem (Fig. 6) and set aside. Slide support stem over rotating hub (Fig. 7) and line up holes. Tighten with 4 supplied medium bolts and washers. Tighten with supplied wrench (Fig. 8). Slide rotating hub cover over rotating hub (Fig. 9).



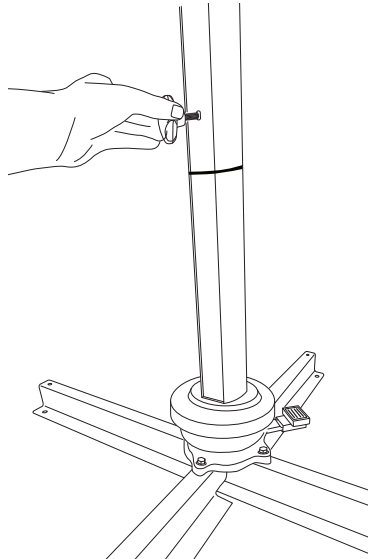
(Fig. 9)

STEP 4 Assemble Main Frame to Base

Slide main frame support tube over support stem (Fig. 10). Slide gasket over support stem and snap onto main frame support tube (Fig. 11). Slide main frame over support stem (Fig. 12). **NOTE:** Make sure back side of main frame is on the same side as hole located on support stem. Once main frame is set in place on support stem, secure together with knob. Tighten knob by turning clockwise  (Fig. 13), without over tightening.




(Fig. 12)

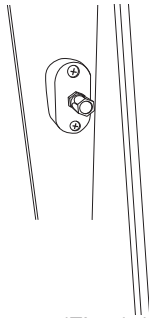


(Fig. 13)

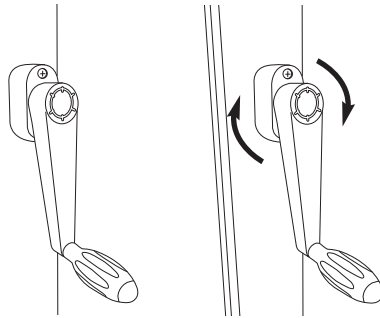
STEP 5 Opening Umbrella

Attach crank handle to crank mechanism (Fig. 14). From closed position, turn the crank clockwise  (Fig. 15) until the umbrella is fully opened (Fig. 16) and the hub is at the top most position (Fig. 17). Tilt umbrella to desired position. See Step 6 for tilt operation.

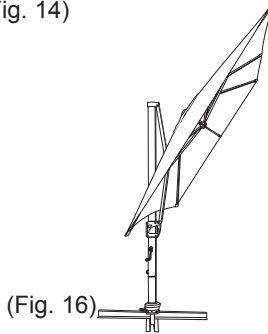
NOTE: When cranking umbrella open, if you feel resistance and the umbrella is not opening, do not force the crank. Gently spread umbrella ribs with hands, then continue to crank open.



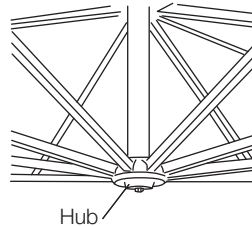
(Fig. 14)



(Fig. 15)



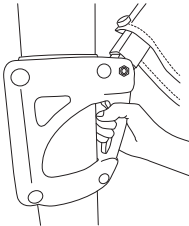
(Fig. 16)



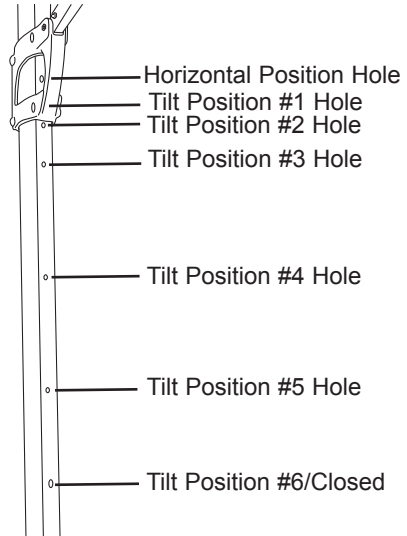
(Fig. 17)

STEP 6 Tilting Umbrella

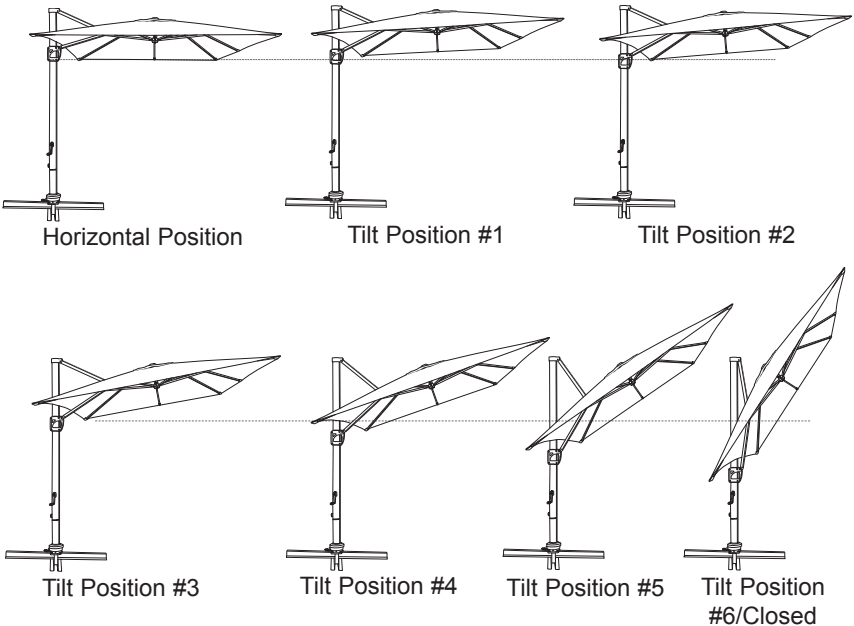
To tilt umbrella, squeeze the main frame grip handle (Fig. 18) and slide handle to desired tilt position (Fig. 19). Release main frame grip handle to lock into tilt position.



(Fig. 18)

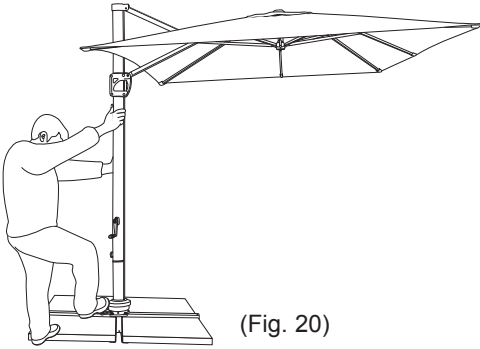


Tilt Positions (Fig. 19)

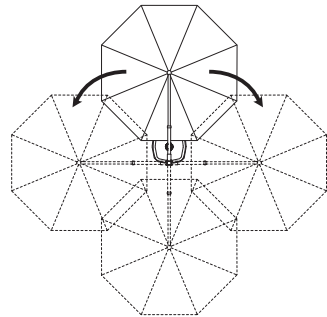


STEP 7 Rotating Umbrella 360°

Place your foot on the foot pedal of the rotating hub and place hands on the main frame (Fig. 20). Swivel the umbrella frame in either direction until desired position is reached. There are 12 locking positions for the umbrella to rotate 360° (Fig. 21). Step off the foot pedal to engage rotating lock. Your umbrella will now be locked into desired location.



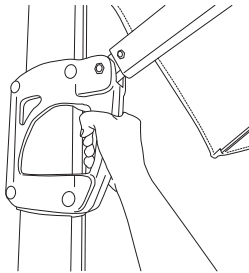
(Fig. 20)



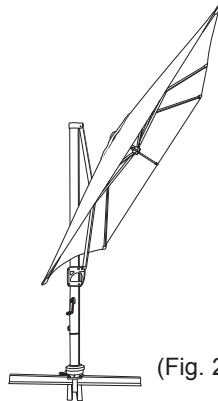
(Fig. 21)

STEP 8 Closing Umbrella

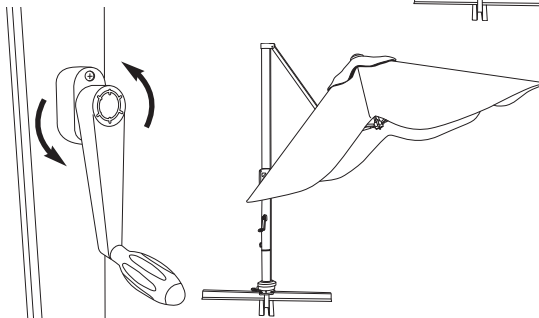
To close umbrella, squeeze main frame grip handle (Fig. 22) and slide grip handle down to closed position (Fig. 23). Turn crank handle counter-clockwise (Fig. 24) until umbrella is closed (Fig. 25). Use ties to secure canopy to the main frame when umbrella is not in use.



(Fig. 22)



(Fig. 23)



(Fig. 24)



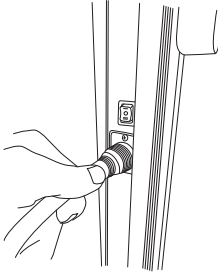
(Fig. 25)

Bali Pro Features

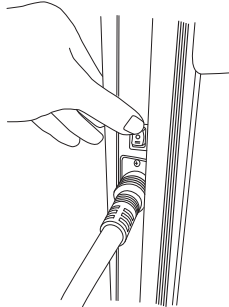
Plug In Rib Lights:

Insert plug into main frame (Fig. 26). Plug other end into wall. To turn on rib lights, press switch up (Fig. 27). To turn off rib lights, press switch down (Fig. 28).

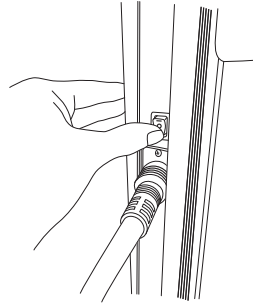
NOTE: Keep Bali Pro unplugged and store away plug & transformer when not in use.



(Fig. 26)




(Fig. 27)




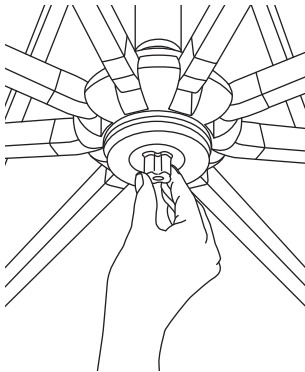
(Fig. 28)

To ATTACH Umbrella Light:

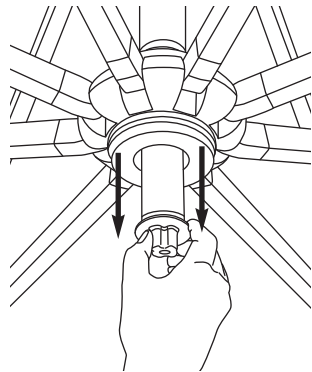
Loosen the light adapter built into the umbrella runner by turning counter-clockwise  (Fig. 29). After loosening, pull down light adapter post (Fig. 30) to attach the umbrella light (*sold separately*).

To REMOVE Umbrella Light and CLOSE adapter:

Remove umbrella light, and gently push up the light adapter post back into umbrella runner and tighten turning clockwise  (Fig. 29).



(Fig. 29)



(Fig. 30)

S A F E T Y P R E C A U T I O N S :

- To reduce risk of personal injury in which a person is injured or harmed, and/or damage to personal property, read and follow the Assembly Guide prior to assembling and operating umbrella and base.
- Close and store the umbrella in windy conditions or when a storm approaches. Never allow the umbrella to flap in the wind; this could cause personal injury, damage to personal property, damage to umbrella and/or umbrella canopy. Do not use tilting function during windy conditions.
- Keep umbrella secured to umbrella base with base weights at all times.
- Do not leave open umbrella unattended. If damage occurs, this is not covered by the warranty.
- When adjusting the umbrella, make sure that no person(s), item(s) or personal property are close to the umbrella. This is important to prevent injury or material damage.
- Do not allow children to play on or with umbrella or umbrella base weights.
- When adjusting or assembling the umbrella or umbrella base weights, make sure fingers, toes or any other parts of the body are clear from moving parts. Failing to do so may result in serious injury.

C A R E A N D M A I N T E N A N C E :

- When not in use, close and cover umbrella with a protective cover (sold separately).
- Allow a wet canopy to dry opened up.
- If necessary, clean the fabric with lukewarm water, mild detergent, and a sponge.
- Wipe sliding marks on the aluminum poles with a damp cloth.

Winter Storage:

- Store in a dry, protective place.

After the Winter:

- Check the condition and function of the umbrella. Any defects must be repaired by a professional.

WARRANTY:

The manufacturer warrants that this umbrella, when subject to normal and proper use, will be free from manufacturing defects for a period of one year from the original date of purchase. Should any defect occur during the specified time period, the manufacturer will repair, replace, or provide replacement parts, at its own option. Limited warranty against fabric fading, based on fabric grade. Warranty is not transferable.

We will not warrant any claim coverage unless both the original sales receipt and request form are sent to us. Any items that are returned for warranty or non warranty purposes must be issued a Return Authorization Number. Only

upon issuance of an RA # and inspection by our QC department will credit or replacement of umbrella be issued. It is the customer's responsibility to pay the freight on return products or replacement parts. ALL RETURNED ITEMS MUST INCLUDE THE RA# CLEARLY WRITTEN ON THE RETURN PACKAGE or package will be refused by our warehouse personnel.

NOTE: Damages and failure caused by improper use due to neglect of reasonable and necessary care are not covered by this warranty.

Additionally, acts of nature (including but not limited to wind, hurricanes, tornadoes, and storms) are not covered by this warranty.



www.simplyshade.com