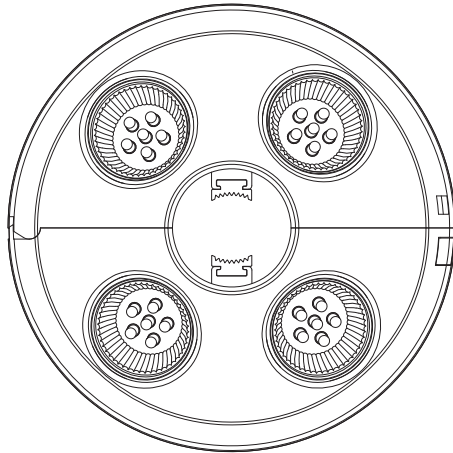




# SimplyShade®

## **Vega** *Umbrella Light*

SS-VEGA



Instruction Manual

Thank you for purchasing SimplyShade's Vega Umbrella Light.

Please remove all contents from the package, inspect and review checklist.

**CAUTION:** To reduce personal injury and damage to your umbrella light, read and follow the instruction manual.

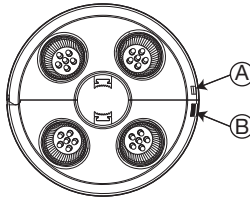
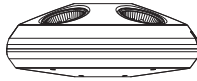
## CHECKLIST

A - On/Off Button

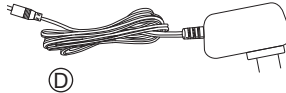
C - Battery Pack (batteries included)

B - Clamp Release Button

D - Battery Charger (for indoor use only)



Battery Pack (1)



Battery Charger (1)

Size: 8" Diameter

Lights: 24 LED lights

AC Charger: 110V

Charge time: 6 Hrs.

*(Lights up to 6-7 hrs. with a fully charged battery.)*

## STEP 1 Assembly

No assembly is required for the umbrella light however, you must fully charge the battery prior to first use.

### To OPEN the Umbrella Light:

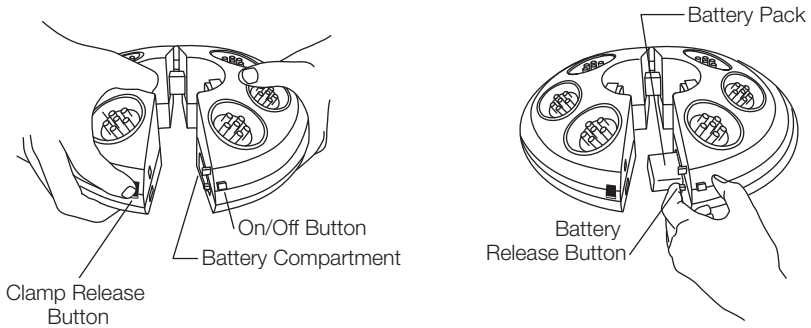
Open the umbrella light by holding firmly with one hand and then depress the clamp release button with the other hand to release the clamp lock (Fig. 1).

### To CHARGE/RECHARGE the Umbrella Light:

With the umbrella light opened, slide back the battery release button to remove the battery pack from its compartment (Fig. 2). After removing the battery pack, plug the charger into the battery input (Fig. 3), then plug charger into 110V electrical outlet for 6 hours to fully charge. After battery charging is complete, gently slide battery pack back into compartment until battery pack snaps into place. **NOTE:** Only use the supplied battery charger, charging the light with a substitute charger may damage the battery pack or cause overheating, which could result in personal injury and/or other damages.

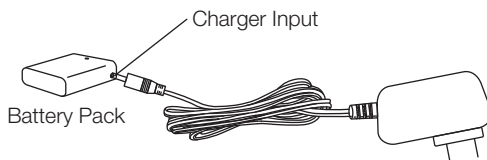
### To TURN ON and TURN OFF the Umbrella Light:

Depress the On/Off button to turn on and turn off LED lights.



(Fig. 1)

(Fig. 2)

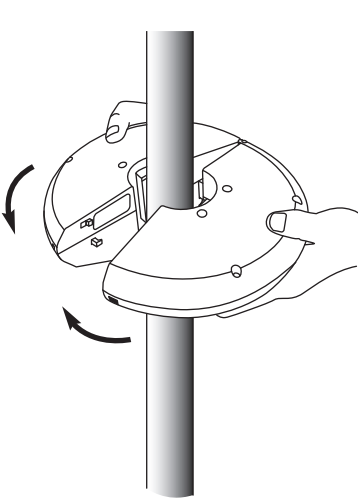
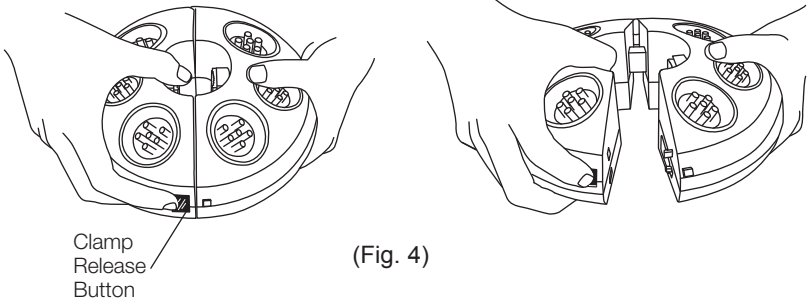


(Fig. 3)

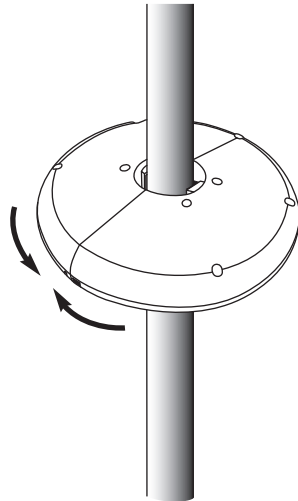
## STEP 2 Operation

### To OPEN and ATTACH the Umbrella Light to Market Umbrella:

Open the umbrella light by holding the light firmly with one hand and then depress the clamp release button with the other hand to release the clamp lock (Fig. 4). Open up the umbrella light and clasp around the mid pole (Fig. 5). Snap to close (Fig. 6).



(Fig. 5)

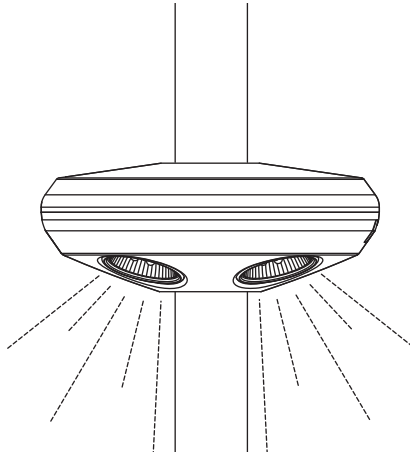


(Fig. 6)

**TWO LIGHT DISPLAY OPTIONS:**

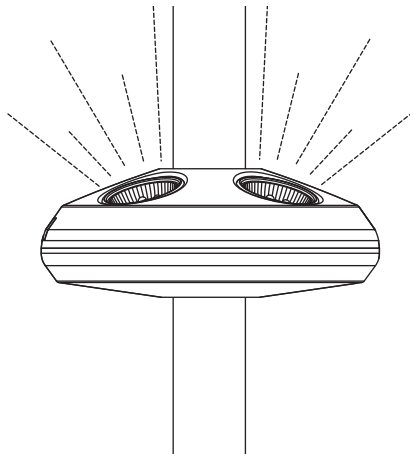
**DOWNLIGHT Position:**

Place the umbrella light with LED lights facing down for dining, games and casual reading.




**UPLIGHT Position:**

Place the umbrella light with LED lights facing up for indirect lighting and mood setting.




### To ATTACH Umbrella Light to Cantilever Umbrella:

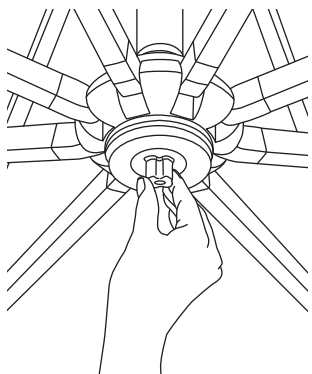
Loosen the light adapter built into the umbrella runner by turning counter-clockwise  (Fig. 7). After loosening, pull down light adapter post (Fig. 8) to attach the umbrella light (sold separately).

### To OPEN and ATTACH Umbrella Light:

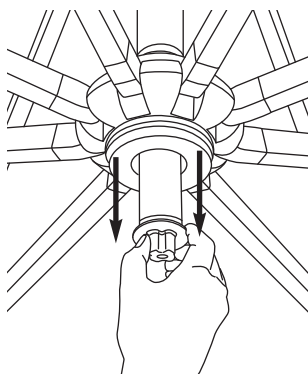
Open the umbrella light by holding firmly with one hand and then depress the clamp release button with the other hand to release the clamp lock. Open up the light and clasp around the light adapter post (Fig. 9). Snap to close (Fig. 10).

### To REMOVE and CLOSE light adapter:

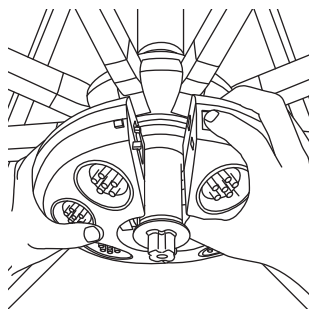
Hold the umbrella light, depress the clamp release button to release the clamp lock. Remove umbrella light, and gently push up the light adapter post back into umbrella runner and tighten turning clockwise .



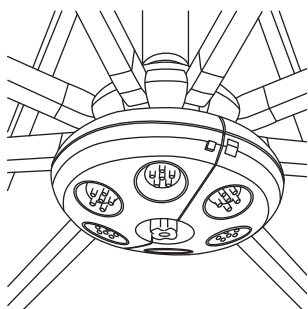
(Fig. 7)



(Fig. 8)



(Fig. 9)



(Fig. 10)

## WARRANTY:

The manufacturer warrants that this umbrella, when subject to normal and proper use, will be free from manufacturing defects for a period of one year from the original date of purchase. Should any defect occur during the specified time period, the manufacturer will repair, replace, or provide replacement parts, at its own option. Limited warranty against fabric fading, based on fabric grade. Warranty is not transferable.

We will not warrant any claim coverage unless both the original sales receipt and request form are sent to us. Any items that are returned for warranty or non warranty purposes must be issued a Return Authorization Number. Only

upon issuance of an RA # and inspection by our QC department will credit or replacement of umbrella be issued. It is the customer's responsibility to pay the freight on return products or replacement parts. ALL RETURNED ITEMS MUST INCLUDE THE RA# CLEARLY WRITTEN ON THE RETURN PACKAGE or package will be refused by our warehouse personnel.

NOTE: Damages and failure caused by improper use due to neglect of reasonable and necessary care are not covered by this warranty.

Additionally, acts of nature (including but not limited to wind, hurricanes, tornados, and storms) are not covered by this warranty.

## S A F E T Y P R E C A U T I O N S :

- Position Vega in a location that will protect it from direct sunlight and moisture.
- Do not overcharge. Unplug the power supply when charging is complete. Over charging may cause the batteries to become hot, rupture or ignite. If you see any heat deformation or leakage, properly dispose of the device.
- If unit is exposed to light moisture, allow unit to air dry for a minimum of 24 hours before reuse.
- Power supply must be used indoors only. It is neither designed nor tested for use outdoors.

**WARNING:** *The Vega umbrella light is not waterproof.* If Vega is immersed in water or exposed to heavy rain the unit will be damaged and void the 1 year warranty.

**NOTE:** We recommend fully charging Vega before you store for extended periods of time.

### Power Supply:

- Never use a third party battery or power supply. Doing so may increase risk of fire or explosion.
- During prolonged use, it is normal for the power supply to be warm to the touch. When using power supply, avoid direct sunlight and exposure to moisture.
- Do not attempt to charge the Selene in inclement weather (rain, snow) so as to prevent damage to the electrical components.



[www.simplyshade.com](http://www.simplyshade.com)

©2021 SimplyShade - All Rights Reserved.